



DISPLAYS2GO

CONNECTING PEOPLE & BRANDS WITH THE WORLD

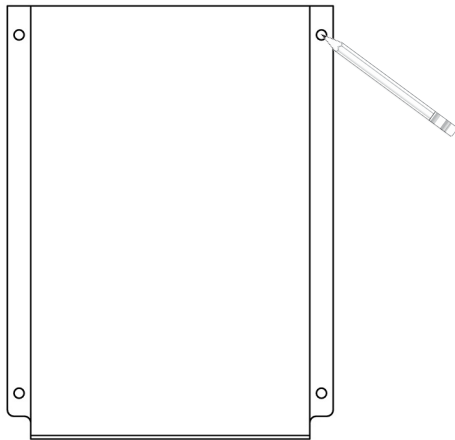
SKUs: EWMS08511, EWMS01117, EWMS01824, EWMS02228, EWMS02436

Made from 100% Recycle Acrylic

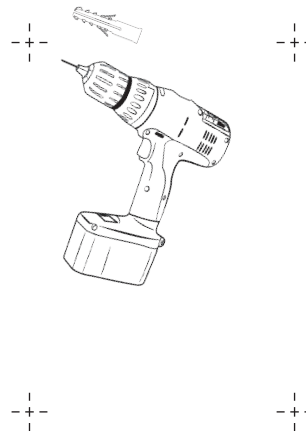
STANDOFF: SDSIGN625

V22.07

1. Place the sign holder at the desired location and mark the center of each hole with a pencil.



2. Drill holes at all marked points with a power drill and insert wall anchors.

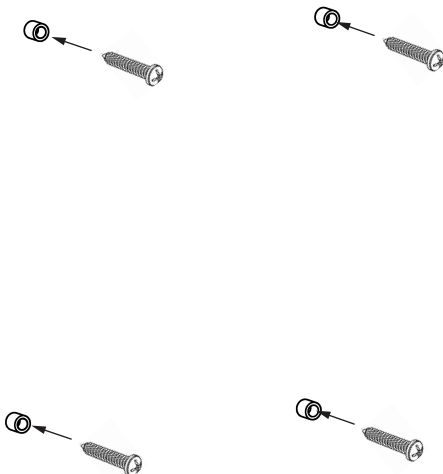


NOTE: This mounting method is for drywall only. Choose the proper hardware that best fits your wall type.

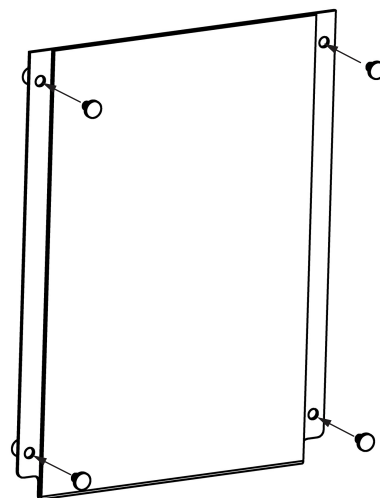
3. Separate each standoff cap from the base.



Place 1 standoff base on the wall and secure it with the anchor screw. Fix remaining standoff bases the same way.



4. Insert your graphic print into the signage holder. Align signage holder with fixed bases and replace standoff caps.



Scan QR code to visit the product page:



EWMS0 Series

CONTACT INFORMATION:
www.displays2go.com
PHONE: 844-221-3388